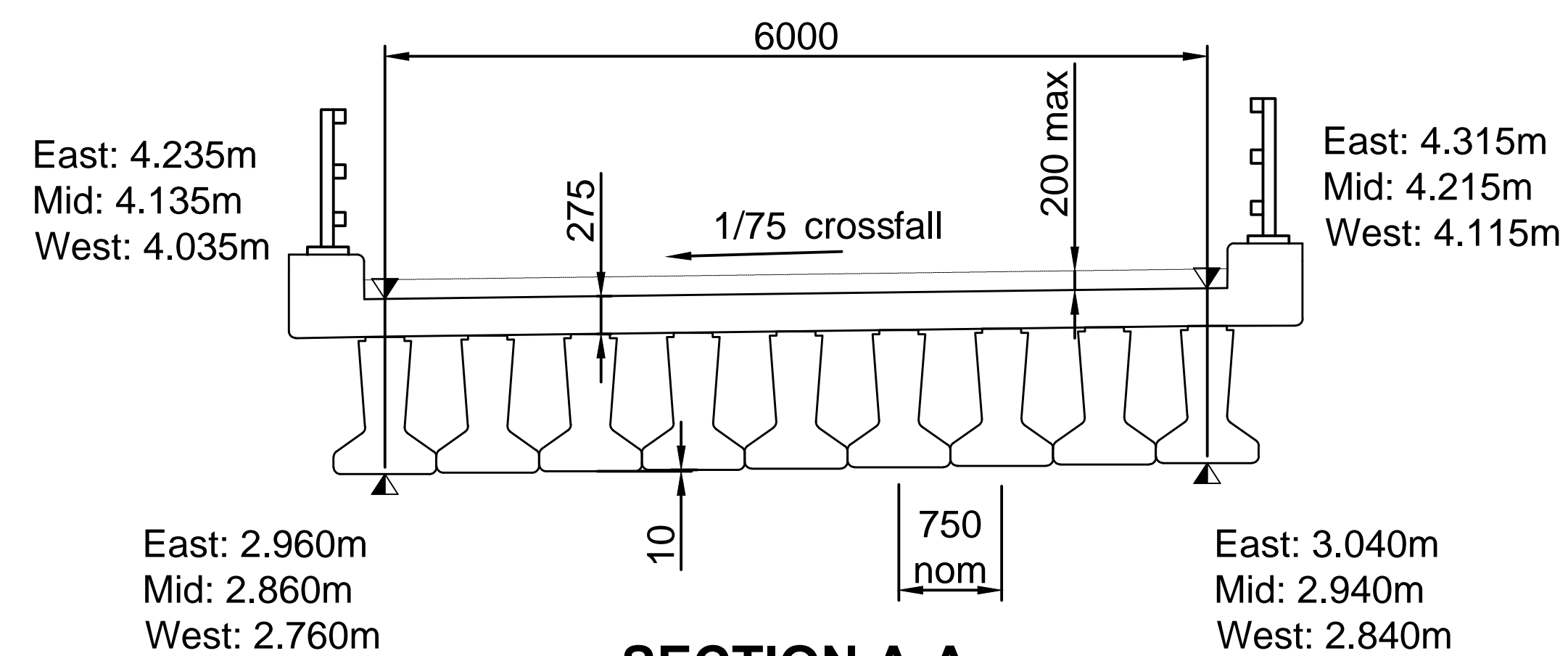
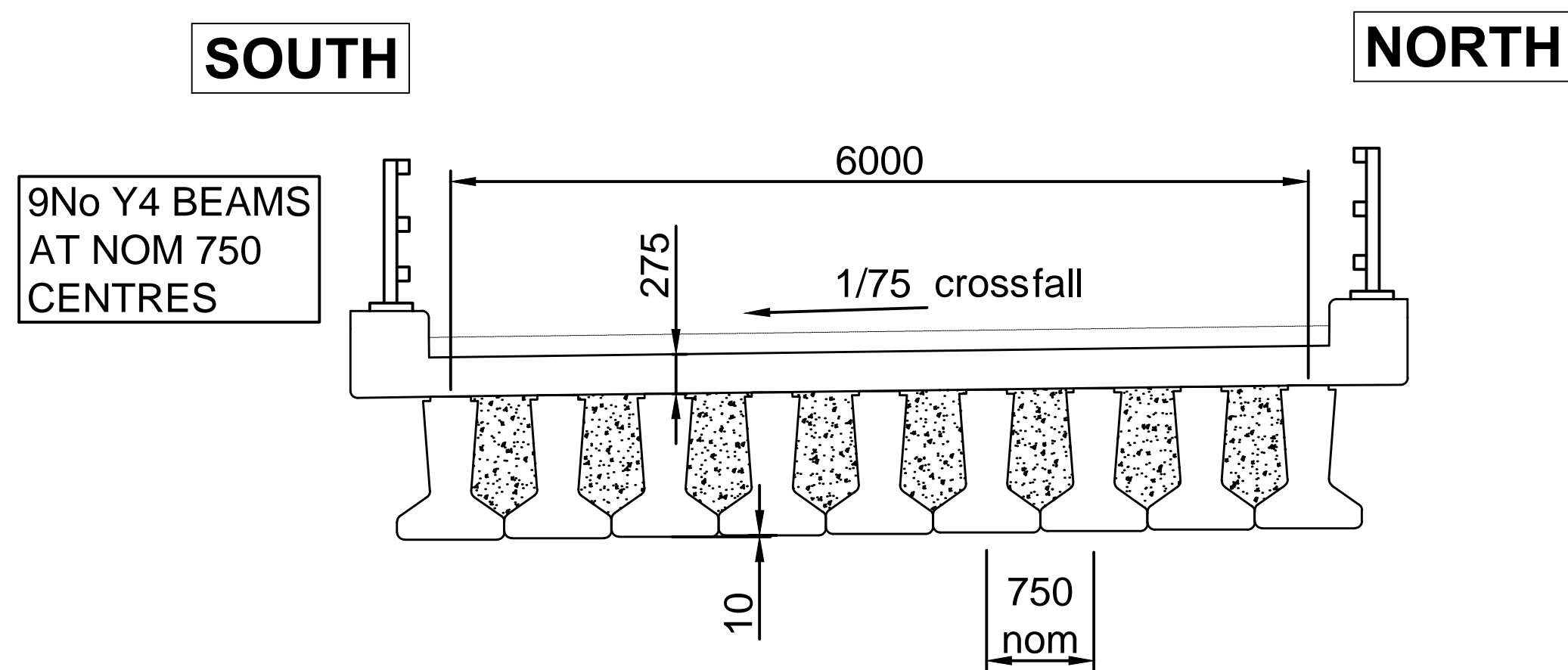


NOTES
 1. THE LEVELS ON THIS DRAWING ARE BASED ON A LOWEST BEAM SOFFIT LEVEL OF 2.76m A.O.D. THIS IS THE HIGHEST RECORDED RIVER LEVEL IN THE SOUTH FORTY FOOT DRAIN. THE LOWEST DECK SOFFIT LEVEL AT SOUTH WEST HAS BEEN SET AT 2.76m A.O.D.



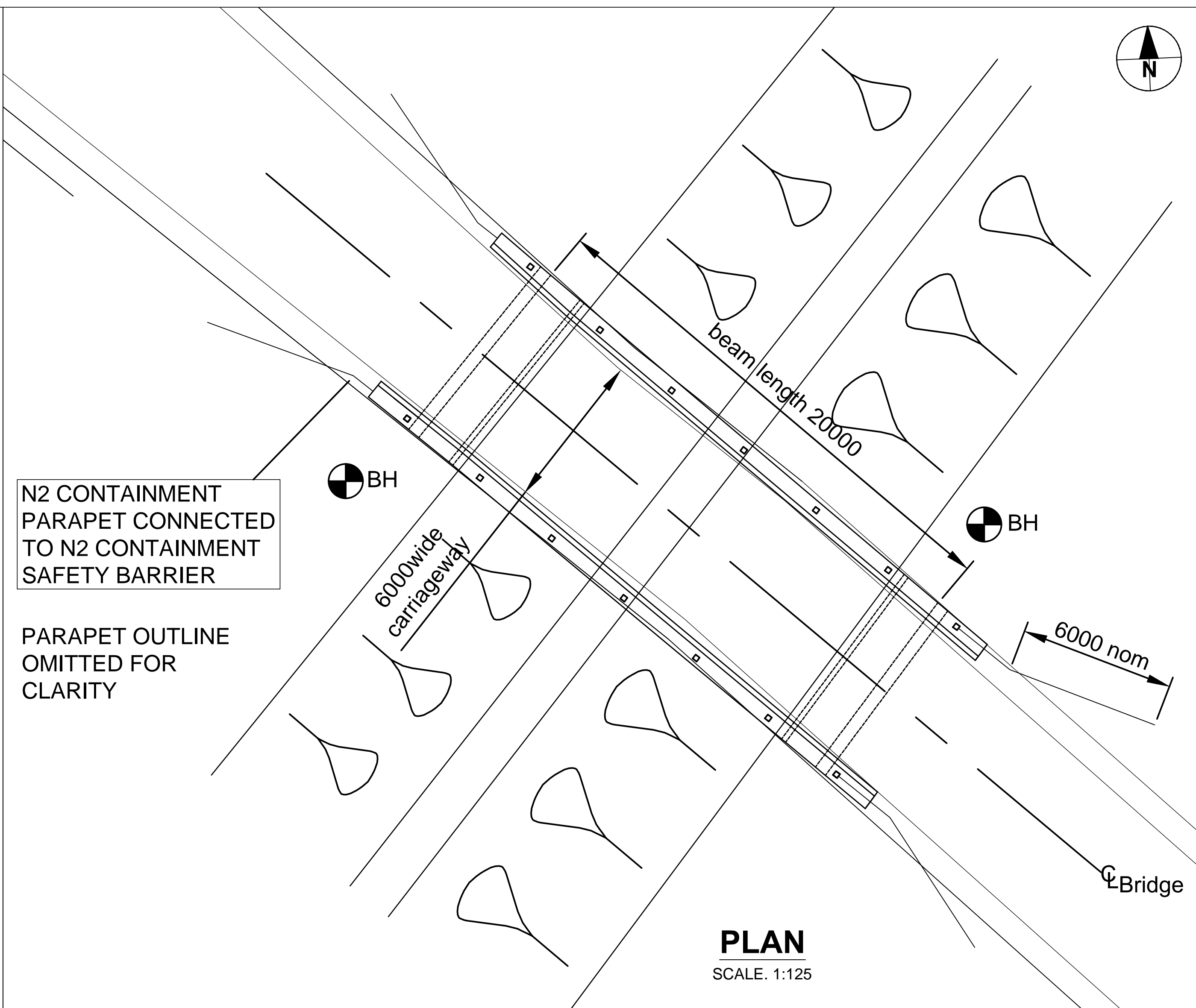
SECTION A-A

SCALE: 1:40



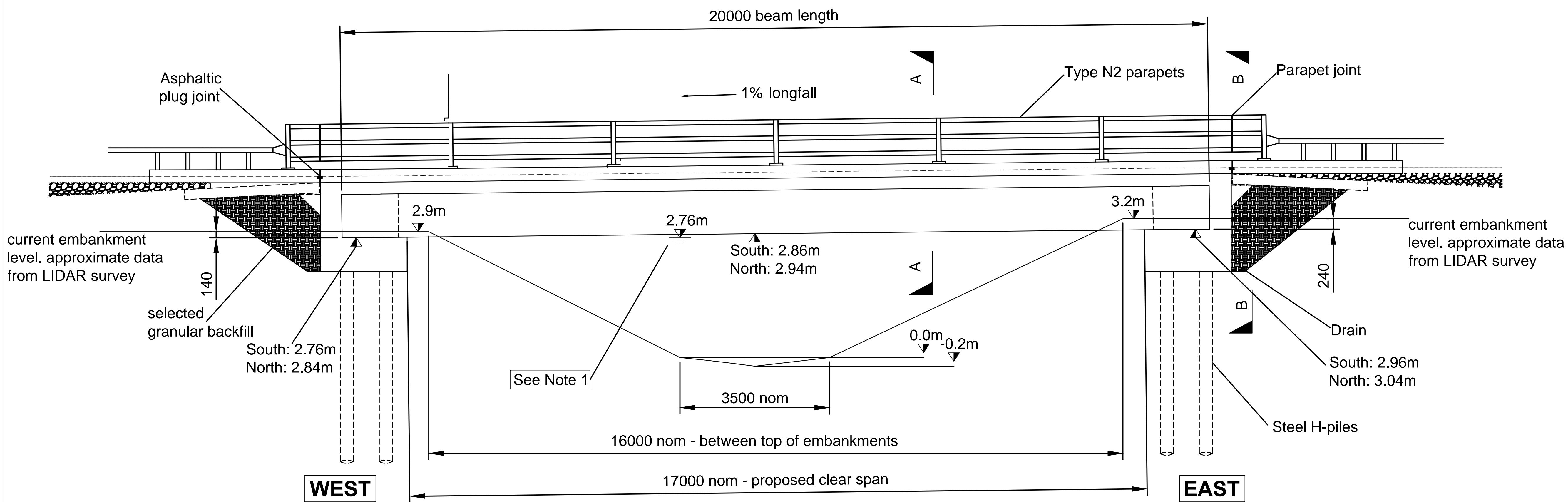
SECTION B-B

SCALE: 1:40



PLAN

SCALE: 1:125



TYPICAL SOUTH ELEVATION

SCALE: 1:50

FIGURE NO. REV.

VKL-02-07-G300-011 0

FIGURE TITLE

UK ONSHORE SCHEME PROPOSED CONVERTER STATION ACCESS ROAD - HAMMOND BECK BRIDGE PRELIMINARY OUTLINE DESIGN GENERAL ARRANGEMENT

SHEET NUMBER

NOTES

Scale: AS SHOWN

DATE

August 2017